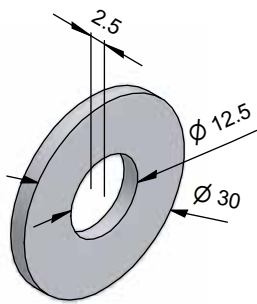
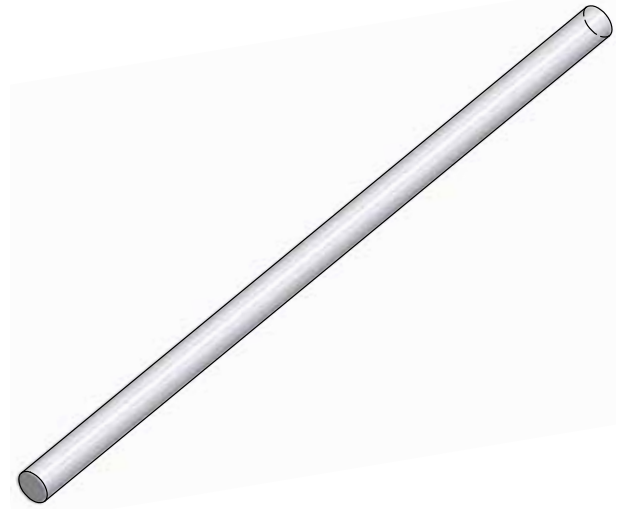
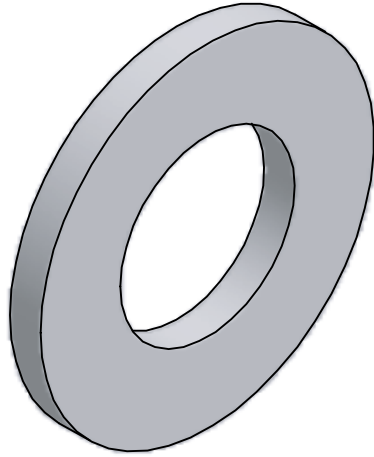


SITEK

# WASHERS / SHAFTS

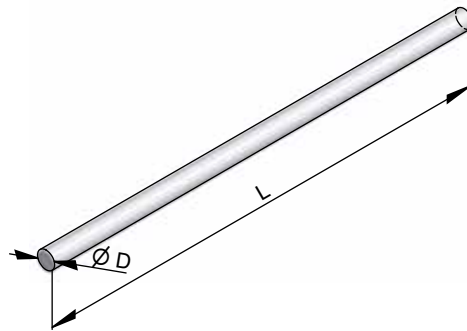
# WASHERS / SHAFTS

## ► SCARIFIER MACHINES



• **SP 30-12.5-2.5**

Article No. | 5400007



• **SH 10-215**

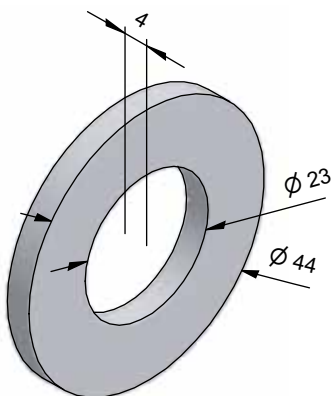
Article No.	5400058
$\phi D$	10
L	215

• **SH 12-268**

Article No.	5400016
$\phi D$	12
L	268

• **SH 12-215**

Article No.	5400017
$\phi D$	12
L	215



• **SP 44-23-4**

Article No. | 5400036

• **SH 20-353**

Article No.	5400032
$\phi D$	20
L	353

• **SH 20-338**

Article No.	5400044
$\phi D$	20
L	338

• **SH 20-333**

Article No.	5400028
$\phi D$	20
L	333

• **SH 22-353**

Article No.	5400027
$\phi D$	22
L	353

case-hardened 57±3 HRC

# → SITEK



SITEK's core competence is in type studs for winter tyres. They provide optimum grip on snow and ice.



Carbide tipped SITEK tools are used to roughen or scour concrete and asphalt surfaces.



SITEK threaded studs and carbide tips for horseshoes provide improved grip on roads, snow and ice

SITEK-Spikes GmbH & Co. KG  
Sulgener Str. 21-23  
D-78733 Aichhalden  
Germany

Fon: +49 (0) 74 22 / 5 65-0  
Fax: +49 (0) 74 22 / 5 65-124

info@sitek.de  
[www.sitek.de](http://www.sitek.de)